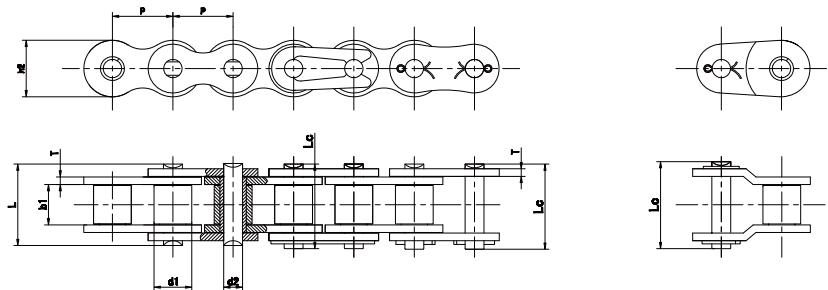


1 A系列短节距精密滚子链

Short pitch precision roller chains(ANSI series)

单排滚子链·套筒链
Simplex Roller Chain & Bushing Chain



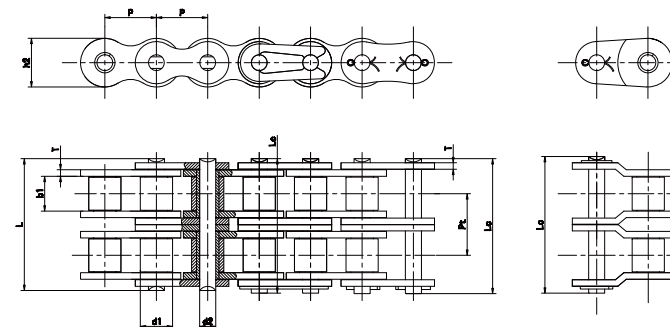
DIN/ISO 链号 DIN/ISO Chain No.	ANSI 链号 ANSI Chain No.	节距 Pitch p	滚子直径 Roller Diameter		内节内宽 Width between Inner Plates		销轴直径 Pin Diameter		销轴长度 Pin Length		内链板高度 Inner Plate Depth	链板厚度 Plate Thickness	极限拉伸载荷 Ultimate Tensile Strength	平均拉伸载荷 Average Tensile Strength	每米重量 Weight Per Meter		
			d1 max	b1 min	d2 max	L max	Lc max	h2 max	T max	Q min						Q0	q
			mm	mm	mm	mm	mm	mm	mm	mm						mm	KN/LB
*04C-1	*25	6,350	3,30	3,10	2,31	9,1	11,0	6,02	0,80	3,50/795	4,5	0,14					
*06C-1	*35	9,525	5,08	4,68	3,60	13,2	14,17	9,05	1,30	7,90/1795	11,0	0,35					
*04C-2	*25-2	6,350	3,30	3,18	2,31	14,5	15,0	6,00	0,80	7,00/1591	8,6	0,28					
*06C-2	*35-2	9,525	5,08	4,77	3,58	22,5	23,5	9,00	1,30	15,80/3591	19,7	0,63					
085-1	41	12,700	7,77	6,25	3,60	14,0	15,50	9,91	1,30	6,67/1516	12,3	0,40					
08A-1	40	12,700	7,92	7,85	3,98	17,8	18,80	12,07	1,50	14,10/3205	17,9	0,65					
08A-2	40-2	12,700	7,95	7,85	3,96	31,0	32,2	12,00	1,50	28,20/6409	35,9	1,12					
10A-1	50	15,875	10,16	9,40	5,09	21,8	22,60	15,09	2,0	22,20/5045	29,3	1,03					
12A-1	60	19,050	11,91	12,57	5,96	26,90	27,70	18,10	2,42	31,80/7227	42,0	1,53					
16A-1	80	25,400	15,88	15,75	7,94	33,5	35,00	24,13	3,25	56,70/12886	72,3	2,61					
20A-1	100	31,750	19,05	18,90	9,54	41,1	44,70	30,17	4,00	88,50/20114	110,5	3,90					
24A-1	120	38,100	22,23	25,22	11,11	50,80	54,30	36,20	4,80	127,00/28864	157,0	5,60					
28A-1	140	44,450	25,40	25,22	12,71	54,90	59,00	42,23	5,60	172,40/39182	213,2	7,52					
32A-1	160	50,800	28,58	31,55	14,29	65,5	69,60	48,26	6,40	226,80/51545	279,0	10,08					

*套筒链: 表中滚子直径d1为套筒直径。
*Bushing Chain: d1 in the table indicates the external diameter of the bushing.

2 A系列短节距精密滚子链

Short pitch precision roller chains(ANSI series)

双排滚子链·套筒链
Duplex Roller Chain & Bushing Chain



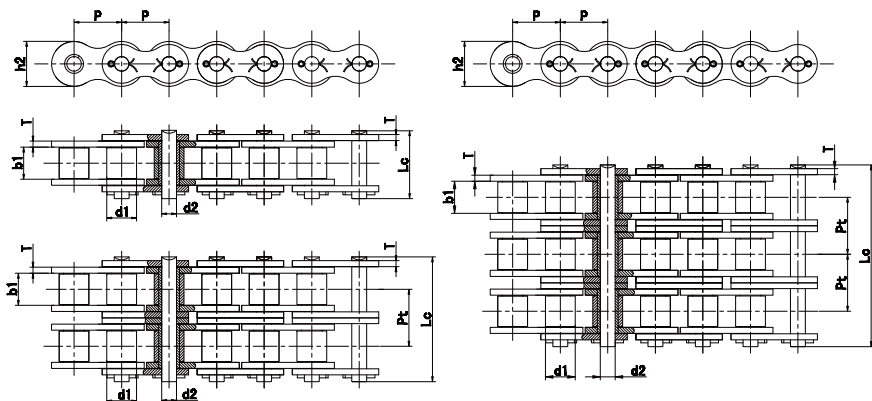
DIN/ISO 链号 DIN/ISO Chain No.	ANSI 链号 ANSI Chain No.	节距 Pitch p	滚子直径 Roller Diameter		内节内宽 Width between Inner Plates		销轴直径 Pin Diameter		销轴长度 Pin Length		内链板高度 Inner Plate Depth	链板厚度 Plate Thickness	排距 Transverse Pitch	极限拉伸载荷 Ultimate Tensile Strength	平均拉伸载荷 Average Tensile Strength	每米重量 Weight Per Meter		
			d1 max	b1 min	d2 max	L max	Lc max	h2 max	T max	Q min							Q0	q
			mm	mm	mm	mm	mm	mm	mm	mm							mm	mm
*04C-2	*25-2	6,350	3,30	3,10	2,31	15,5	16,0	6,02	0,80	6,40	7,00/1591	8,8	0,27					
*06C-2	*35-2	9,525	5,08	4,68	3,60	23,4	24,3	9,05	1,30	10,13	15,80/3591	19,5	0,61					
08A-2	40-2	12,700	7,92	7,85	3,98	31,0	34,2	12,07	1,50	14,38	28,20/6409	35,7	1,15					
10A-2	50-2	15,875	10,16	9,40	5,09	39,9	42,0	15,09	2,0	18,11	44,40/10091	58,3	2,03					
12A-2	60-2	19,050	11,91	12,57	5,96	49,8	51,5	18,10	2,42	22,76	63,60/14455	82,4	2,94					
16A-2	80-2	25,400	15,88	15,75	7,94	62,7	64,3	24,13	3,25	29,29	113,40/257727	141,6	5,45					
20A-2	100-2	31,750	19,05	18,90	9,54	77,0	80,5	30,17	4,00	35,76	177,00/40227	219,9	7,56					
24A-2	120-2	38,100	22,23	25,22	11,11	96,3	99,7	36,20	4,80	45,44	254,00/57727	314,8	11,63					
28A-2	140-2	44,450	25,40	25,22	12,71	103,6	110,9	42,23	5,60	48,87	344,80/78364	427,9	15,51					
32A-2	160-2	50,800	28,58	31,55	14,29	124,2	128,1	48,26	6,40	58,55	453,60/103091	562,9	20,35					

*套筒链: 表中滚子直径d1为套筒直径。
*Bushing Chain: d1 in the table indicates the external diameter of the bushing.

3 A系列开口销型滚子链

Cotter type roller chains(ANSI series)

单排、双排、三排滚子链
Simplex & Duplex & Triplex Roller Chain

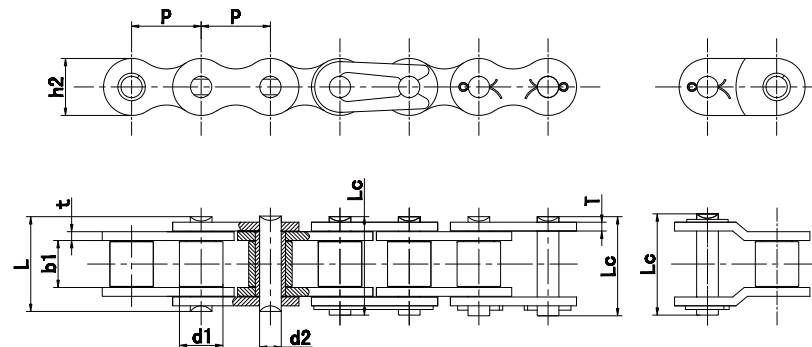


DIN/ISO 链号 DIN/ISO Chain No.	ANSI 链号 ANSI Chain No.	节距	滚子直径	内节内宽	销轴直径	销轴长度	内链板高度	链板厚度	排距	极限拉伸载荷	平均拉伸载荷	每米重量
		Pitch	Roller Diameter	Width between Inner Plates	Pin Diameter	Pin Length	Inner Plate Depth	Plate Thickness	Transverse Pitch	Ultimate Tensile Strength	Average Tensile Strength	Weight Per Meter
		p	d1 max	b1 min	d2 max	Lc max	h2 max	T max	Pt	Q min	Q0	q
		mm	mm	mm	mm	mm	mm	mm	mm	KN/LB	KN	kg/m
10A-1	50	15.875	10.16	9.40	5.09	22.6	15.09	2.0	-	22.2/5045	29.3	1.03
12A-1	60	19.050	11.91	12.57	5.96	27.7	18.10	2.42	-	31.8/7227	42.0	1.53
16A-1	80	25.400	15.88	15.75	7.94	35.0	24.13	3.25	-	56.7/12886	72.3	2.61
20A-1	100	31.750	19.05	18.90	9.54	44.7	30.17	4.00	-	88.5/20114	110.5	3.90
24A-1	120	38.100	22.23	25.22	11.11	54.3	36.20	4.80	-	127.0/28864	157	5.60
28A-1	140	44.450	25.40	25.22	12.71	59.0	42.23	5.60	-	172.4/39182	213.2	7.52
32A-1	160	50.800	28.58	31.55	14.29	69.6	48.26	6.40	-	226.8/51545	279	10.08
10A-2	50-2	15.875	10.16	9.40	5.09	42.0	15.09	2.0	18.11	44.4/10091	58.3	2.03
12A-2	60-2	19.050	11.91	12.57	5.96	51.5	18.10	2.42	22.78	63.6/14455	82.4	2.94
16A-2	80-2	25.400	15.88	15.75	7.94	64.3	24.13	3.25	29.29	113.4/25773	141.6	5.45
20A-2	100-2	31.750	19.05	18.90	9.54	80.5	30.17	4.00	35.76	177.0/40227	219.9	7.56
24A-2	120-2	38.100	22.23	25.22	11.11	99.7	36.20	4.80	45.44	254.0/57727	314.8	11.63
28A-2	140-2	44.450	25.40	25.22	12.71	110.9	42.23	5.60	48.87	344.8/78364	427.9	15.51
32A-2	160-2	50.800	28.58	31.55	14.29	128.1	48.26	6.40	58.55	453.6/103091	562.9	20.35
10A-3	50-3	15.875	10.16	9.40	5.09	59.3	15.09	2.0	18.11	66.6/15136	77.8	3.09
12A-3	60-3	19.050	11.91	12.57	5.96	73.9	18.10	2.42	22.78	95.4/21682	111.1	4.54
16A-3	80-3	25.400	15.88	15.75	7.94	95.1	24.13	3.25	29.29	170.1/38659	198.4	7.89
20A-3	100-3	31.750	19.05	18.90	9.54	116.3	30.17	4.00	35.76	265.5/60341	309.6	11.77
24A-3	120-3	38.100	22.23	25.22	11.11	145.2	36.20	4.80	45.44	381.0/86591	437.2	17.53
28A-3	140-3	44.450	25.40	25.22	12.71	156.8	42.23	5.60	48.87	517.2/117545	593.3	22.20
32A-3	160-3	50.800	28.58	31.55	14.29	186.6	48.26	6.40	58.55	680.4/154636	780.6	30.02

4 B系列短节距精密滚子链

Short pitch precision roller chains(BS series)

单排滚子链
Simplex Roller Chain



DIN/ISO 链号 DIN/ISO Chain No.	节距 Pitch	滚子直径 Roller Diameter	内节内宽 Width between Inner Plates	销轴直径 Pin Diameter	销轴长度 Pin Length		内链板高度 Inner Plate Depth	链板厚度 Plate Thickness	极限拉伸载荷 Ultimate Tensile Strength	平均拉伸载荷 Average Tensile Strength	每米重量 Weight Per Meter
					L max	Lc max					
	p	d1 max	b1 min	d2 max	L max	Lc max	h2 max	t/T max	Q min	Q0	q
	mm	mm	mm	mm	mm	mm	mm	mm	KN/LB	KN	kg/m
04B-1	6.000	4.00	2.80	1.85	6.80	7.8	5.05	0.60	3.0/682	3.5	0.14
05B-1	8.000	5.00	3.00	2.31	8.60	9.2	7.11	0.80	5.0/1136	6.4	0.17
*06B-1	9.525	6.35	5.72	3.28	13.5	14.1	8.26	1.30	9.0/2045	10.8	0.42
08B-1	12.700	8.51	7.75	4.45	17.0	18.2	11.81	1.60	18.0/4091	19.9	0.73
10B-1	15.875	10.16	9.65	5.08	19.6	20.9	14.73	1.70	22.4/5091	27.1	0.96
12B-1	19.050	12.07	11.68	5.72	22.7	24.2	16.13	1.85	29.0/6591	32.7	1.13
16B-1	25.400	15.88	17.02	8.28	36.1	37.4	21.08	4.0/3.0	60.0/13636	73.2	2.74
20B-1	31.750	19.05	19.56	10.19	43.2	45.0	26.42	4.5/3.5	95.0/21591	107.3	3.76
24B-1	38.100	25.40	25.40	14.63	53.4	57.8	33.40	6.0/4.8	160.0/36364	178.3	7.13
28B-1	44.450	27.94	30.99	15.90	65.1	69.5	37.08	7.5/6.0	200.0/45455	222.5	8.54
32B-1	50.800	29.21	30.99	17.81	67.4	71.0	42.29	7.0/6.0	250.0/56818	277.6	10.27

*套筒链: 表中滚子直径d1为套筒直径。

*Bushing Chain: d1 in the table indicates the external diameter of the bushing.