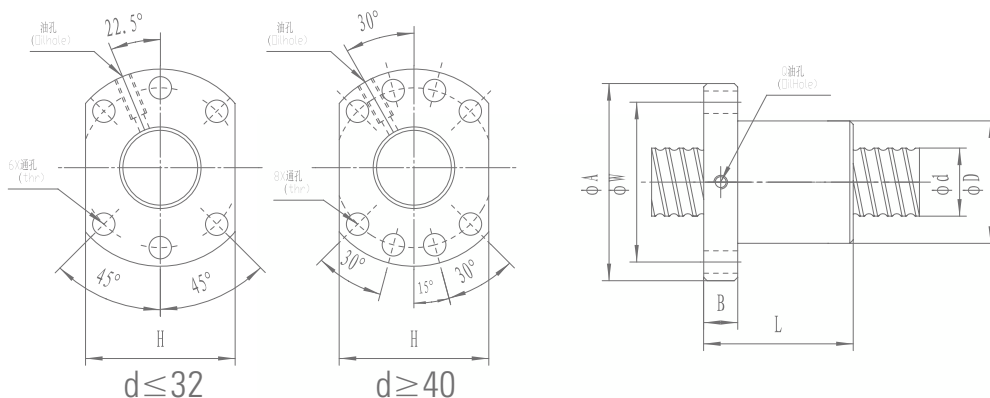


SFU



- l: 導程 Lead Da: 珠徑 Ball Dia. n: 珠卷數 Number of Circuits K: 剛性 Stiffness (Kgf/μm)
- Ca: 動額定負荷 Basic Dynamic Rating Load (Kgf) Coa: 靜額定負荷 Basic Static Rating Load (Kgf)

滾珠絲杠—螺桿

型号 Part Number	滾珠螺桿、螺帽之基準數據 Dimensions														
	d	l	Da	D	A	B	L	W	X	H	Q	n	Ca	Coa	K
SFU01204-4	12	4	2.5	24	40	10	40	32	4.5	30		4	593	1129	12.5
SFU01604-4	16	4	2.381	28	48	10	40	38	5.5	40	M6	4	629	1270	35
SFU01605-4	16	5	3.175	28	48	10	50	38	5.5	40	M6	4	780	1790	20
SFU01610-3	16	10	3.175	28	48	10	57	38	5.5	40	M6	3	721	1249	15
SFU02004-4	20	4	2.381	36	58	10	42	47	6.6	44	M6	4	699	1617	41
SFU02005-4	25	5	3.175	36	58	10	51	47	6.6	44	M6	4	1130	2380	25
SFU02504-4	25	4	2.381	40	62	10	42	51	6.6	48	M6	4	777	2052	48
SFU02505-4	25	5	3.175	40	62	10	51	51	6.6	48	M6	4	1280	3110	35
SFU02506-4	25	6	3.969	40	62	10	54	51	6.6	48	M6	4	1528	3284	40
SFU02508-4	25	8	4.762	40	62	10	63	51	6.6	48	M6	4	1941	3863	38
SFU02510-4	25	10	4.762	40	62	12	85	51	6.6	48	M6	4	1944	3877	33
SFU03204-4	25	4	2.381	50	80	12	44	65	9	62	M6	4	871	2661	56
SFU03205-4	32	5	3.175	50	80	12	52	65	9	62	M6	4	1450	4150	40
SFU03206-4	32	6	3.969	50	80	12	57	65	9	62	M6	4	1720	4298	47
SFU03208-4	32	8	4.762	50	80	12	65	65	9	62	M6	4	2189	5079	44
SFU02005-4	40	5	3.175	36	58	10	51	47	6.6	44	M6	4	1130	2380	25
SFU02504-4	40	4	2.381	40	62	10	42	51	6.6	48	M6	4	777	2052	48
SFU02505-4	40	5	3.175	40	62	10	51	51	6.6	48	M6	4	1280	3110	35
SFU02506-4	40	6	3.969	40	62	10	54	51	6.6	48	M6	4	1528	3284	40
SFU02508-4	50	8	4.762	40	62	10	63	51	6.6	48	M6	4	1941	3863	38
SFU02510-4	50	10	4.762	40	62	12	85	51	6.6	48	M6	4	1944	3877	33
SFU03204-4	50	4	2.381	50	80	12	44	65	9	62	M6	4	871	2661	56
SFU03205-4	63	5	3.175	50	80	12	52	65	9	62	M6	4	1450	4150	40
SFU02508-4	80	8	4.762	40	62	10	63	51	6.6	48	M6	4	1941	3863	38
SFU02510-4	80	10	4.762	40	62	12	85	51	6.6	48	M6	4	1944	3877	33
SFU03204-4	80	4	2.381	50	80	12	44	65	9	62	M6	4	871	2661	56
SFU02510-4	100	10	4.762	40	62	12	85	51	6.6	48	M6	4	1944	3877	33

備註：有標註★記號者可製作左螺紋 Note: with sign ★ can produce left helix