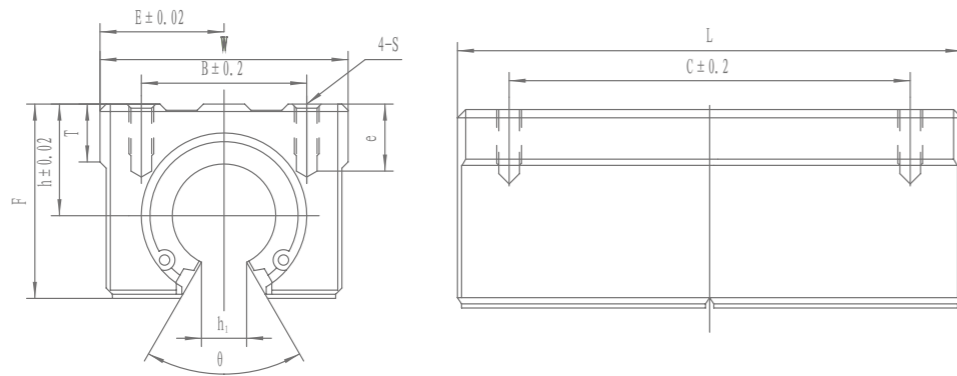


▶ **SBR □ L-PP-UU**



SBR □ L-PP-UU

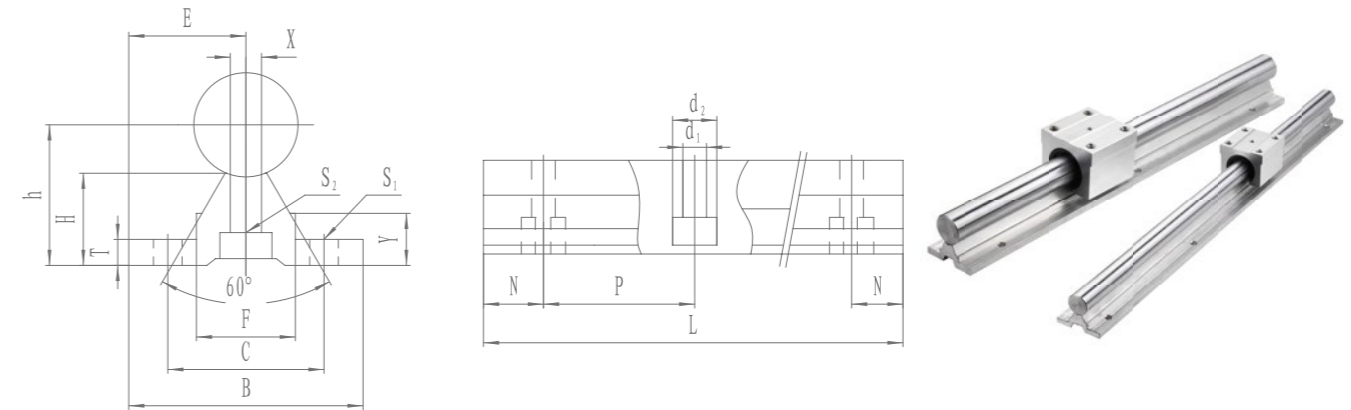


型号说明  
Model Specification



型号 Part Number	轴径 Shaft Diameter	主要尺寸 Main dimensions(mm)											额定载荷 Basic Load Rating		重量 g Weight	
		h	E	W	L	F	T	H1	θ	B	C	S	e	动 dyn.c		静 stat.co
SBR10L-PP-UU	10	15	18	36	68	24	7	6	80°	25	46	M5	10	774	1020	130
SBR12L-PP-UU	12	17	20	40	75	27.6	8	8.5	80°	28	50	M5	10	1020	1548	200
SBR16L-PP-UU	16	20	22.5	45	85	33	9	10	80°	32	60	M5	12	1548	2360	300
SBR20L-PP-UU	20	23	24	48	96	39	11	10	60°	35	70	M6	12	1764	2740	400
SBR25L-PP-UU	25	27	30	60	130	47	14	11.5	50°	40	100	M6	12	1960	3140	900
SBR30L-PP-UU	30	33	35	70	140	56	15	14	50°	50	110	M8	18	3140	5480	1260
SBR35L-PP-UU	35	37	40	80	160	63	18	16	50°	55	120	M8	18	3440	6280	1800
SBR40L-PP-UU	40	42	45	90	175	72	20	19	50°	65	140	M10	20	4320	8040	2660
SBR50L-PP-UU	50	53	60	120	215	92	25	23	50°	94	160	M12	20	7640	15880	6000

▶ **SBR-C**



型号 Part Number	轴径 Shaft Diameter	主要尺寸 Main dimensions(mm)											重量 g Weight
		E	h	B	H	T	F	X	Y	C	S1	S2 d1×d2×i	
SBR-C10	Φ10	16	18	32	13	4	12.5	4.7	8.5	22	Φ4.5	5×9×5	0.54
SBR-C12G	Φ12	15	22.5	30	17	4	12	4.7	12	22	Φ4.5	5×9×5	0.7
SBR-C12	Φ12	16	19	32	13	4	12.5	4.7	8.5	22	Φ4.5	5×9×5	0.7
SBR-C13	Φ13	16	19.5	32	13	4	12.5	4.7	8.5	22	Φ4.5	5×9×5	0.72
SBR-C16	Φ16	20	25	40	17.8	5	18.5	8	11.7	30	Φ5.5	5.5×9.5×5.4	1.0
SBR-C20	Φ20	22.5	27	45	17.7	5	19	8	10	30	Φ5.5	5.5×9.5×5.4	1.07
SBR-C25	Φ25	27.5	33	55	21	6	21.5	8	12	35	Φ6.6	6.6×11×6.5	1.5
SBR-C30	Φ30	30	37	60	22.8	7	26.5	10.3	13	40	Φ6.6	6.6×11×6.5	1.9
SBR-C35	Φ35	32.5	43	65	26.5	8	28	13	15.5	45	Φ9	9×14×8.6	2.45
SBR-C40	Φ40	37.5	48	75	29.5	9	38	15.5	17	55	Φ9	9×14×8.6	3.25
SBR-C50	Φ50	47.5	62	95	38.8	11	45	20	21	70	Φ11	11×17.5×10.8	5.26

导轨支撑的标准长度和尺寸  
Support Rail Stand Lengths and Dimensions

型号 Part Number	SBR-C10	SBR-C12	SBR-C13	SBR-C16	SBR-C20	SBR-C25	SBR-C30	SBR-C35	SBR-C40	SBR-C50
标准长度 Standard Length L	140	140	140	190	340	250	450	460	460	470
	240	240	240	340	640	450	850	660	660	670
	-	-	-	-	-	-	-	-	860	870
	340	340	340	640	940	850	1250	860	1060	1070
	440	440	440	940	1240	1250	1450	1060	1260	1270
N	20	20	20	20	20	25	25	30	30	35
P	100	100	100	150	150	200	200	200	200	200
最大长度 Max .Length	5000	5000	5000	6000	6000	6000	6000	6000	6000	6000

超过最大长度可对接, 请以图纸形式咨询 Exceeds the maximum length need docking, please show the drawing.