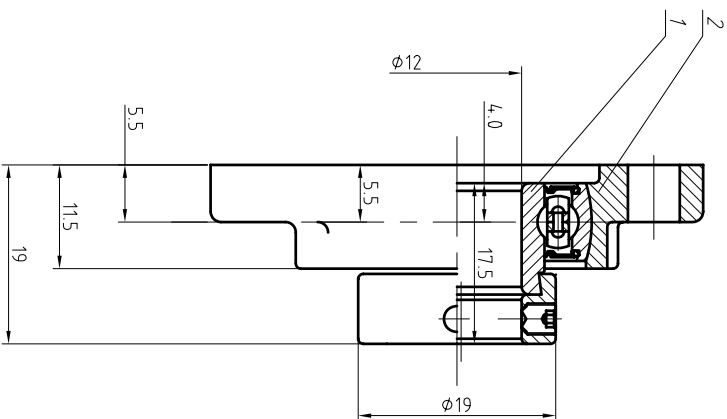
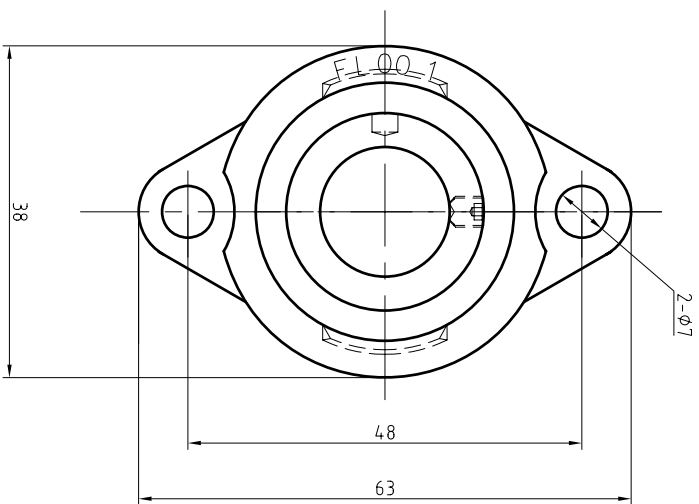


UFL001



CONTROLLED No.
 VERSION NO.
 ELECTRONIC No.
 DATE
 CONTROLLED No.

No.	Name	QTY.	Material	W.T.(g)	Note
2	Housing	1	Znic alloy		FL001
1	Insert Bearing	1	GCr15		U001
MATERIAL					
MARK REVISION SIGNATURE DATE					
DESIGNED BY	STANDARD BY	DRAWING MARK			
CHECKED BY	APPROVED BY	WEIGHT	SCALE	Bearing Units	
REVIEWED BY	DATE	0.07KG		FK BEARING GROUP	
		TOTAL	PAGE	PAGE	UFL001

