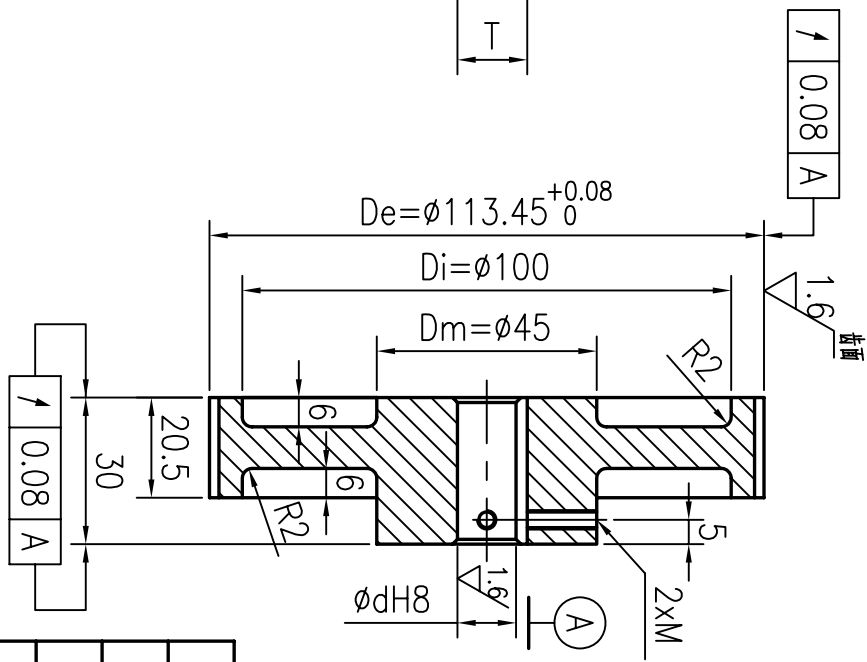


技术要求

- 1.未注倒角0.5,锐边倒钝去毛刺;
- Unquoted chamfer (0.5) break sharp edges
- 2.各表面不得有划伤,锈迹等缺陷;
- All surfaces must be rust free and no scratch
- 3.未注尺寸公差按ISO 2768-MK标准;
- dimensions without tolerance according to 2768-MK
- 4.节距偏差任意相邻两齿 ± 0.03 ,90度圆弧内累计偏差在 ± 0.1 内,Pitch tolerance:within ± 0.03 for any neighboring two teeth within ± 0.1 for 90° arch
- 5.产品打字,装配绑定螺钉;Marking part No,Set;screws installed



| 产品编号/Part No. | d | B | T | M |
|---------------|-----------------------------------|---------------|-----------------------------------|----|
| TRM4124_0 | 12 ^{+0.027} ₀ | 4 ± 0.015 | 13.8 ^{+0.1} ₀ | M4 |
| TRM4130_0 | 17 ^{+0.027} ₀ | 5 ± 0.015 | 19.3 ^{+0.1} ₀ | M5 |
| TRM4132_0 | 19 ^{+0.033} ₀ | 6 ± 0.015 | 21.8 ^{+0.1} ₀ | M6 |
| TRM4134_0 | 24 ^{+0.033} ₀ | 8 ± 0.018 | 27.3 ^{+0.2} ₀ | M8 |

| | | | | |
|----|-------|-------|----|----|
| 标记 | 外数 | 更改文件号 | 签字 | 日期 |
| 设计 | zhang | 标准化 | | |
| 审核 | huang | | | |
| 工艺 | | | | |

| | | | |
|----------|------------|---|---|
| 名称/Name: | 同步轮 | | |
| 型号/Code: | GT5M, Z772 | | |
| 共 | 页 | 第 | 页 |

| | | | |
|--|------------------|--------|-------|
| 图号/Drawing No: | TRM4124_0~4134_0 | 更新/Rev | |
| 材料/Material: | LY12(2024-T6) | 重量 | |
| | | 比例 | 1:1.5 |
|  Chengdu Leno Machinery Co.,Ltd Tel:+86-28-65998825; Fax:+86-28-84862968 sales@cdleno.com; www.cdleno.com | | | |