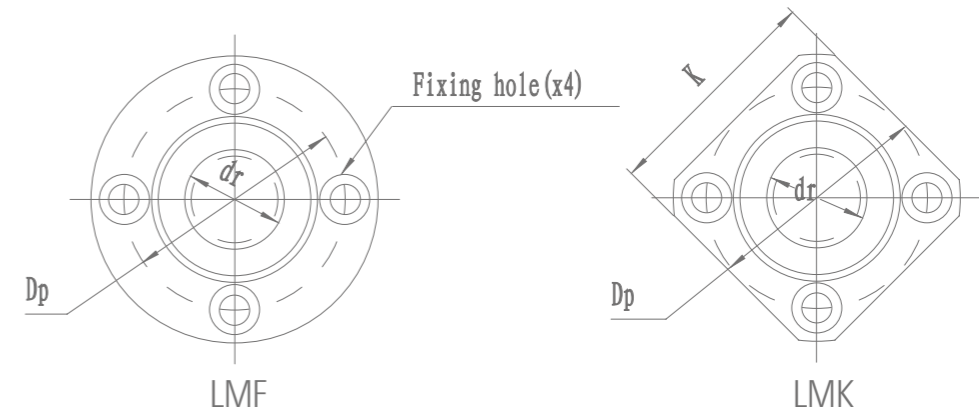


▶ LMF-UU/LMK-UU/LMSF-UU/LMSK-UU



▶ LMF-UU/LMK-UU/LMSF-UU/LMSK-UU



Nominal shaft diameter (mm)	Part No.		Weight (g)	Major dimensions and tolerance						
	Steel	Stainless Steel		dr		D		Df	L	
	LMF(K)...UU	LMSF(K)...UU		mm	Tolerance (μm)	mm	Tolerance (μm)	mm	inch mm	Tolerance (μm)
6	LMF 6-UU LMK 6-UU	LMSF 6-UU LMSK 6-UU	24 18	6	0-9	12	0-13	28	19	±300
8	LMF 8S-UU LMK 8S-UU	LMSF 8S-UU LMSK 8S-UU	32 24	8	0-9	15	0-13	32	17	±300
8	LMF 8-UU LMK 8-UU	LMSF 8-UU LMSK 8-UU	37 29	8	0-9	15	0-13	32	24	±300
10	LMF 10-UU LMK 10-UU	LMSF 10-UU LMSK 10-UU	72 52	10	0-9	19	0-16	40	29	±300
12	LMF 12-UU LMK 12-UU	LMSF 12-UU LMSK 12-UU	76 57	12	0-9	21	0-16	42	30	±300
13	LMF 13-UU LMK 13-UU	LMSF 13-UU LMSK 13-UU	88 72	13	0-9	23	0-16	43	32	±300
16	LMF 16-UU LMK 16-UU	LMSF 16-UU LMSK 16-UU	120 104	16	0-9	28	0-16	48	37	±300
20	LMF 20-UU LMK 20-UU	LMSF 20-UU LMSK 20-UU	180 145	20	0-10	32	0-19	54	42	±300
25	LMF 25-UU LMK 26-UU	LMSF 25-UU LMSK 25-UU	340 300	25	0-10	40	0-19	62	59	±300
30	LMF 30-UU LMK 30-UU	LMSF 30-UU LMSK 30-UU	470 375	30	0-10	45	0-19	74	64	±300
35	LMF 35-UU LMK 35-UU	LMSF 35-UU LMSK 35-UU	650 560	35	0-12	52	0-22	82	70	±300
40	LMF 40-UU LMK 40-UU	LMSF 40-UU LMSK 40-UU	1060 880	40	0-12	60	0-22	96	80	±300
50	LMF 50-UU LMK 50-UU	LMSF 50-UU LMSK 50-UU	2200 2000	50	0-12	80	0-22	116	100	±300
60	LMF 60-UU LMK 60-UU	LMSF 60-UU LMSK 60-UU	3000 2560	60	0-15	90	0-25	134	110	±300
80	LMF 80-UU LMK 80-UU	-	5800 5300	80	0-15	120	0-25	164	140	±300
100	LMF 100-UU LMK 100-UU	-	10600 9900	100	0-20	150	0-29	200	175	±300

Part No.		Major dimensions and tolerance						Eccentricity (μm)	Squareness (μm)	Basic load rating		Nominal shaft diameter (mm)
Steel	Stainless Steel	Flange								dynamic (C N)	static (Co N)	
LMF(K)...UU	LMSF(K)...UU	K mm	t mm	Dp mm	X mm	Y mm	Z mm					
LMF 6-UU LMK 6-UU	LMSF 6-UU LMSK 6-UU	22	5	20	3.5	6	3.1	12	12	206	265	6
LMF 8S-UU LMK 8S-UU	LMSF 8S-UU LMSK 8S-UU	25	5	24	3.5	6	3.1	12	12	176	216	8
LMF 8-UU LMK 8-UU	LMSF 8-UU LMSK 8-UU	25	5	24	3.5	6	3.1	12	12	274	392	8
LMF 10-UU LMK 10-UU	LMSF 10-UU LMSK 10-UU	30	6	29	4.5	7.5	4.1	12	12	372	549	10
LMF 12-UU LMK 12-UU	LMSF 12-UU LMSK 12-UU	32	6	32	4.5	7.5	4.1	12	12	510	784	12
LMF 13-UU LMK 13-UU	LMSF 13-UU LMSK 13-UU	34	6	33	4.5	7.5	4.1	12	12	510	784	13
LMF 16-UU LMK 16-UU	LMSF 16-UU LMSK 16-UU	37	6	38	4.5	7.5	4.1	12	12	774	1180	16
LMF 20-UU LMK 20-UU	LMSF 20-UU LMSK 20-UU	42	8	43	5.5	9	5.1	15	15	882	1370	20
LMF 25-UU LMK 26-UU	LMSF 25-UU LMSK 25-UU	50	8	51	5.5	9	5.1	15	15	980	1570	25
LMF 30-UU LMK 30-UU	LMSF 30-UU LMSK 30-UU	58	10	60	6.6	11	6.1	15	15	1570	2740	30
LMF 35-UU LMK 35-UU	LMSF 35-UU LMSK 35-UU	64	10	67	6.6	11	6.1	20	20	1670	3140	35
LMF 40-UU LMK 40-UU	LMSF 40-UU LMSK 40-UU	75	13	78	9	14	8.1	20	20	2160	4020	40
LMF 50-UU LMK 50-UU	LMSF 50-UU LMSK 50-UU	92	13	98	9	14	8.1	20	20	3820	7940	50
LMF 60-UU LMK 60-UU	LMSF 60-UU LMSK 60-UU	106	18	112	11	17	11.1	25	25	4700	10000	60
LMF 80-UU LMK 80-UU	-	136	18	142	11	17	11.1	25	25	7350	16000	80
LMF 100-UU LMK 100-UU	-	170	20	175	14	20	13.1	30	30	14100	34800	100