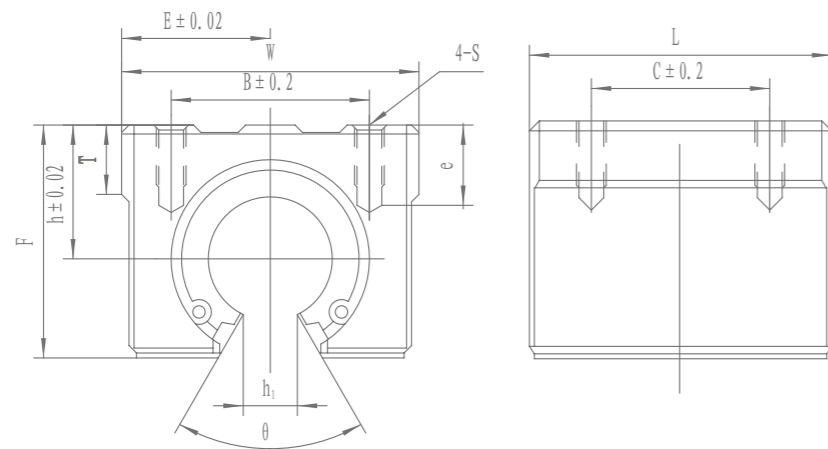


▶ **KBE □ S-UU**



KBE □ S-UU



型号 Part Number		主要尺寸和安装尺寸 Main dimensions and Mounting dimensions (mm)											额定载荷 Basic Load Rating		重量 g Weight
密封 Seal Type	轴径 Shaft Diameter	h	D	W	L	F	T	h1	θ	B	C	S×e	动 dyn.c	静 stat.co	
KBE16S-UU	16	20	22.5	45	45	33	9	10	80°	32	30	M5×12	774	1180	150
KBE20S-UU	20	23	24	48	50	39	11	10	60°	35	35	M6×12	882	1370	200
KBE25S-UU	25	27	30	60	65	47	14	11.5	60°	40	40	M6×12	980	1570	450
KBE30S-UU	30	33	35	70	70	56	15	14	60°	50	50	M8×18	1570	2740	630
KBE40S-UU	40	42	45	90	90	72	20	19	60°	65	65	M10×20	2160	4020	1330
KBE50S-UU	50	53	60	120	110	92	25	23	60°	94	80	M10×20	3820	7940	3000

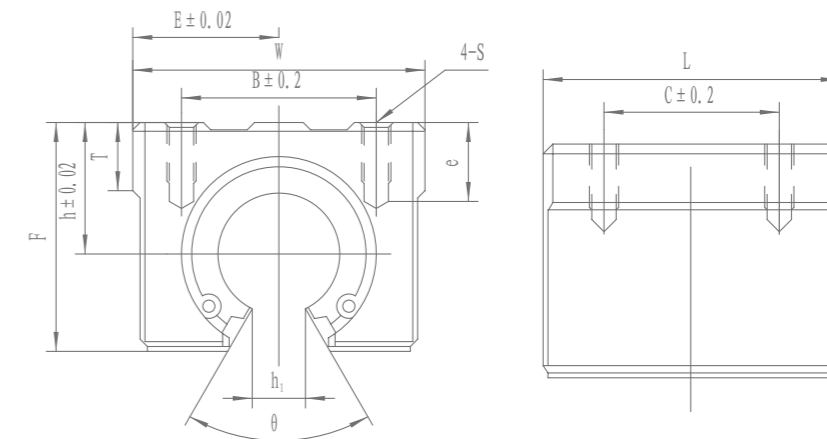
▶ **SBR □ S-UU/SBR □ S-PP-UU**



SBR □ S-UU



SBR □ S-PP-UU



型号说明
Model Specification

SBR	S	L	PP	UU
铝滑块 Item	标准 Standard	加长 Long	压板 Plates	密封 Seals

型号 Part Number	轴径 Shaft Diameter	主要尺寸 Main dimensions(mm)											额定载荷 Basic Load Rating		重量 g Weight	
		h	E	W	L	F	T	H1	θ	B	C	S	e	动 dyn.c		静 stat.co
SBR10S-UU SBR10S-PP-UU	10	15	18	36	32	24	7	6	80°	25	20	M5	10	372	549	65
SBR12S-UU SBR12S-PP-UU	12	17	20	40	39	27.6	8	8.5	80°	28	26	M5	10	500	770	100
SBR13S-UU SBR13S-PP-UU	13	17	20	40	39	27.6	8	8.5	80°	28	26	M5	10	510	784	100
SBR16S-UU SBR16S-PP-UU	16	20	22.5	45	45	33	9	10	80°	32	30	M5	12	774	1180	150
SBR20S-UU SBR20S-PP-UU	20	23	24	48	50	39	11	10	60°	35	35	M6	12	882	1370	200
SBR25S-UU SBR25S-PP-UU	25	27	30	60	65	47	14	11.5	50°	40	40	M6	12	980	1570	450
SBR30S-UU SBR30S-PP-UU	30	33	35	70	70	56	15	14	50°	50	50	M8	18	1570	2740	630
SBR35S-UU SBR35S-PP-UU	35	37	40	80	80	63	18	16	50°	55	55	M8	18	1670	3140	920
SBR40S-UU SBR40S-PP-UU	40	42	45	90	90	72	20	19	50°	65	65	M10	20	2160	4020	1330
SBR50S-UU SBR50S-PP-UU	50	53	60	120	110	92	25	23	50°	94	80	M10	20	3820	7940	3000