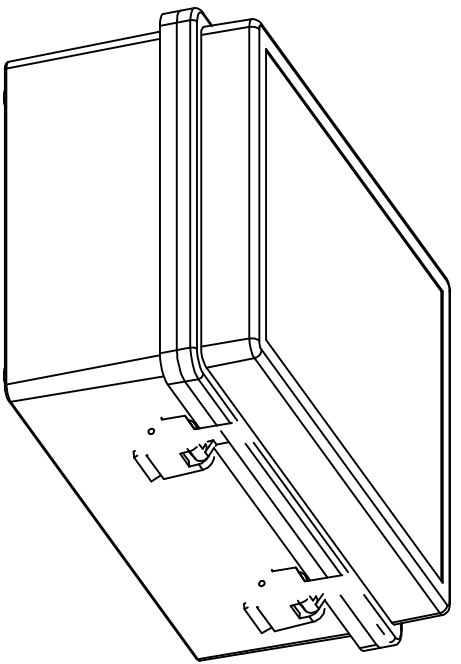
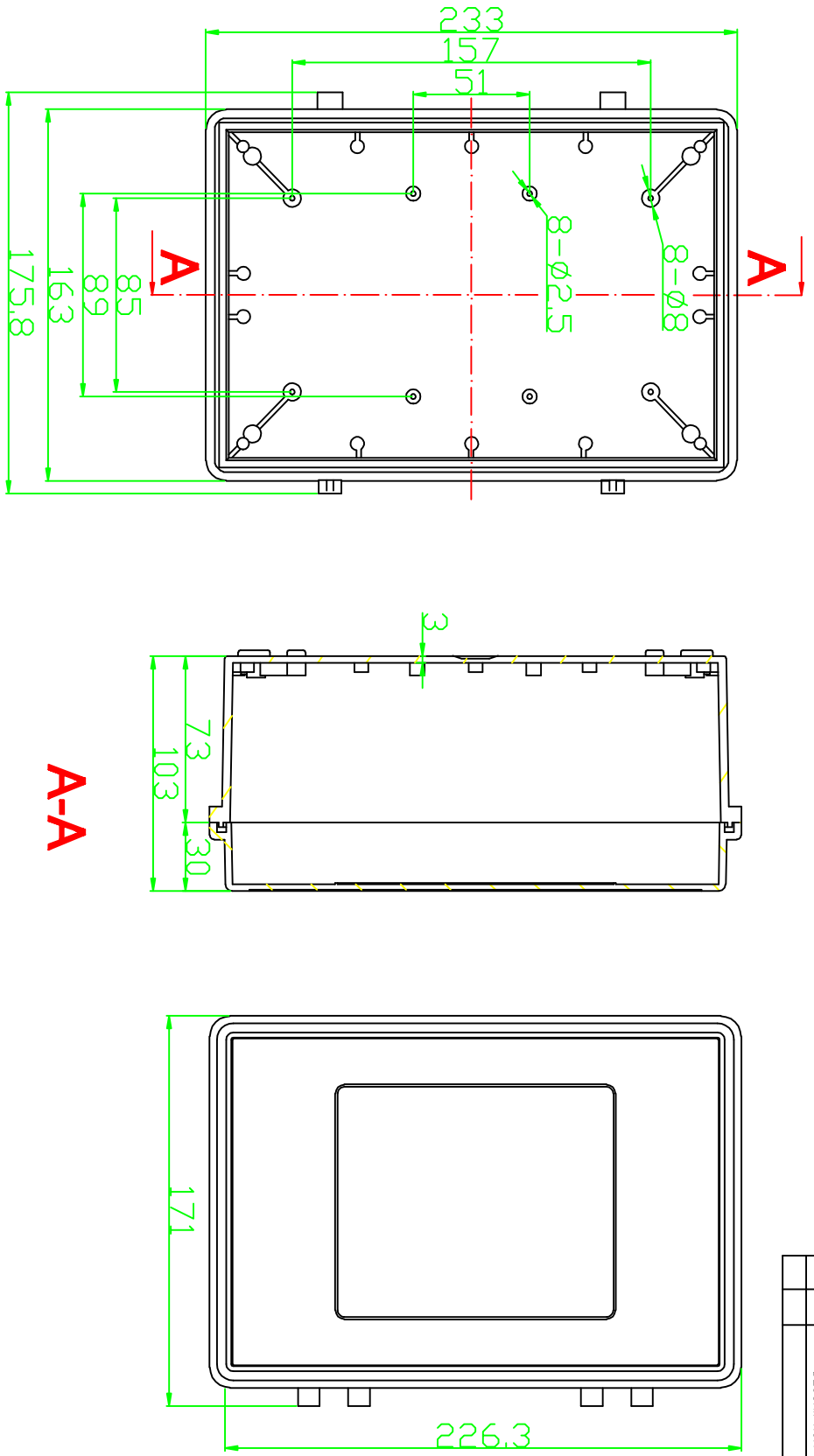


| REVISION RECORD | | | | |
|-----------------|-----|-------------|------|------|
| REV | ECD | DESCRIPTION | DRFT | CHKD |
| | | | | |



| DETACHED LISTS | | MM | (INCH) | MM |
|----------------------------|-------------|--------------------------|--------|------------|
| TOLERANCES EXCEPT AS NOTED | CHECKED | DRAWN | NAME | DATE |
| MM | ± | KAWIN | | 03/02/2015 |
| 0 ± 0.3 | ± | | | |
| .00 ± 0.02 | ± | | | |
| .000 ± 0.01 | ± | | | |
| ANGLES ± 5° | ± | | | |
| QTY : | MATERIAL : | | | |
| | ABS | | | |
| FINISH : | TITLE | | | |
| | | | | |
| FIRST ANGLE PROJECTION | SCALE : 1:1 | | | |
| DRAWING NO. PW069 | | DRAWING NO. PW069 | | |
| /PART NO. 00 | | /PART NO. 00 | | |
| DID NOT SCALE DRAWING | | DID NOT SCALE DRAWING | | |
| SHEET 1 | | SHEET 1 | | |
| OF 1 | | OF 1 | | |
| SIZE A4 | | SIZE A4 | | |
| REV | | REV | | |

埃弗雷斯特
EVEREST
WWW.EVERESTCASE.COM

PW069