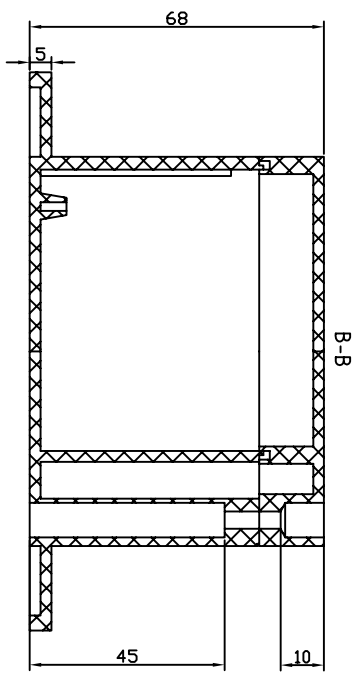
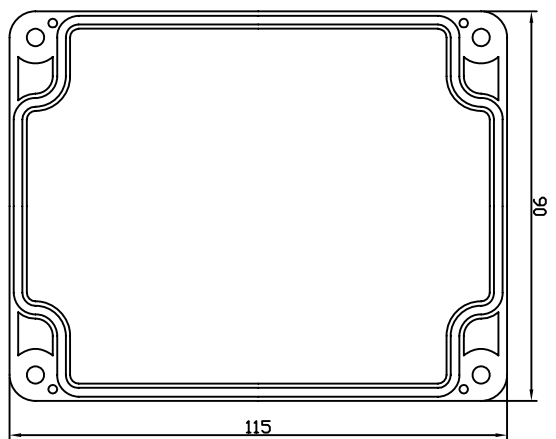
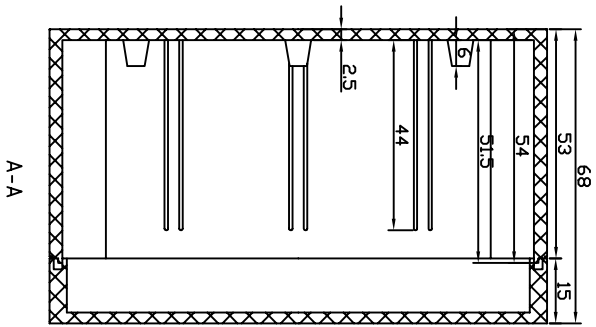
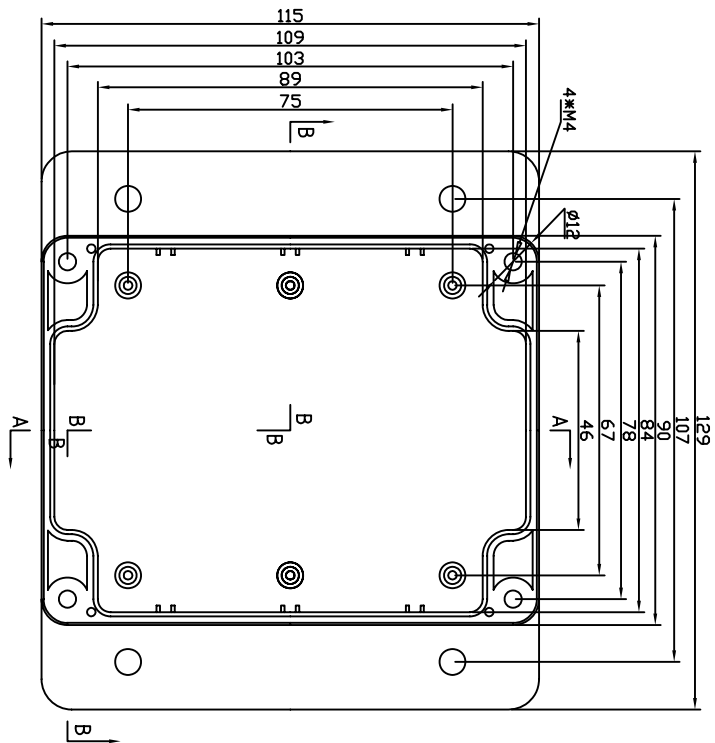


REVISION RECORD				
REV	ECD	DESCRIPTION	DRFT	CHKD



DETACHED LISTS		DATE	DATE
MM	0 ± 0.3	DATE	DATE
MM	.00 ± 0.2	DATE	DATE
MM	0.00 ± 0.1	DATE	DATE
ANGLES ± 5°		DATE	
TOLERANCES EXCEPT AS NOTED		DATE	
DRFTD	CHKD	DATE	DATE
MFRD	APPLV	DATE	DATE
MATERIAL: ABS			
TITLE			
DRAWING NO. PW026			
/PART NO. 00			
DD NOT SCALE DRAWING			
FINISH:		SIZE	REV
SCALE: 1:1		A4	
THIRD ANGLE PROJECTION		SHEET 1 OF 1	

埃弗勒斯  
EVEREST  
WWW.EVERESTCASE.COM

PW026