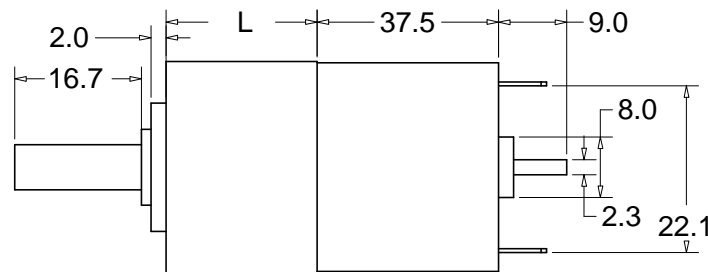
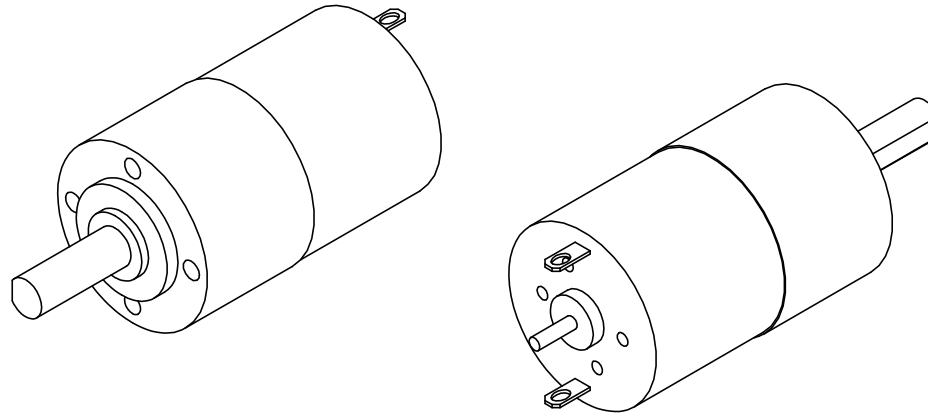
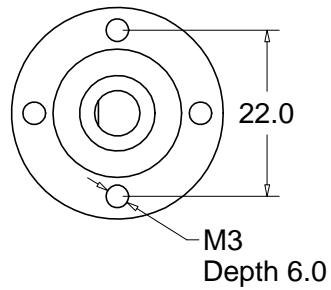
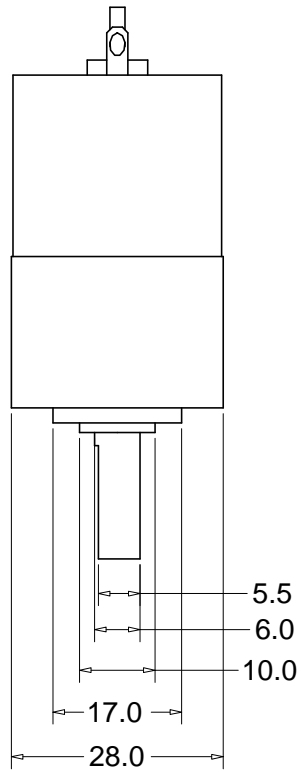




DC Motor - 12V/2.9W

Mechanical Drawing



Part Number	Length "L"(mm)
3261_1	31.5
3262_1	40.0
3263_1	48.5
3264_1	48.5

Units are in mm